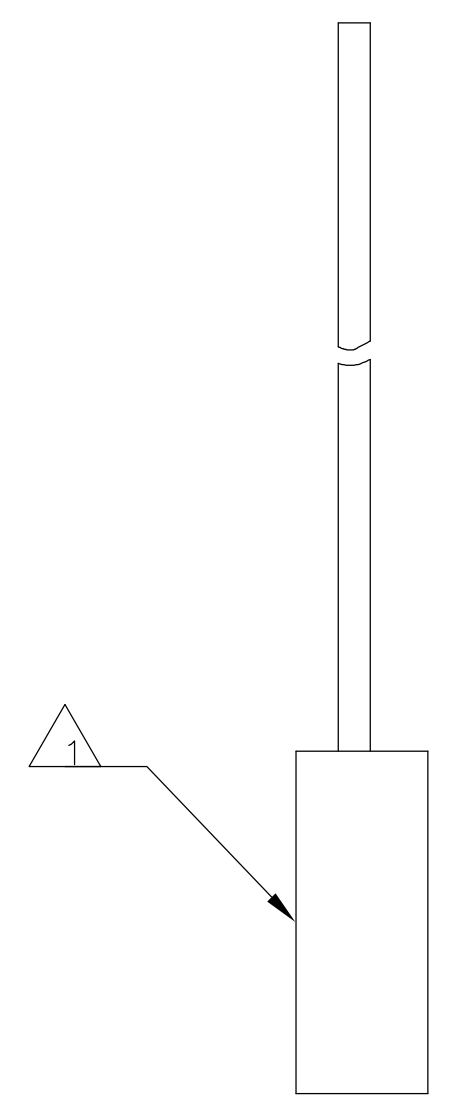
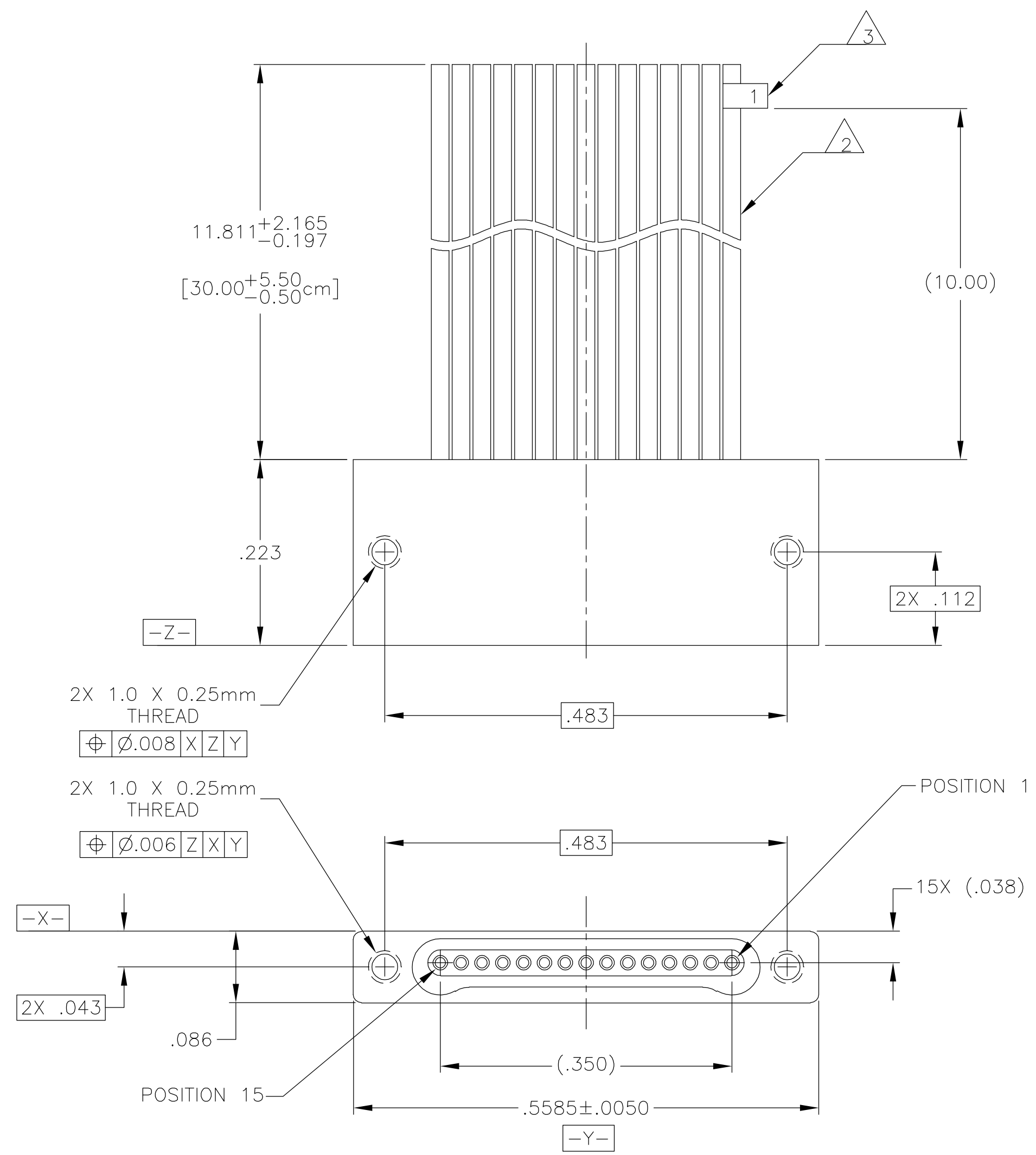


THIS DRAWING IS UNPUBLISHED. RELEASED FOR PUBLICATION
 © COPYRIGHT BY TYCO ELECTRONICS CORPORATION. ALL RIGHTS RESERVED.

| LOC | | DIST | | REVISIONS | | | |
|-----|-----|--------------------------|----------|-----------|------|--|--|
| P | LTR | DESCRIPTION | DATE | DWN | APVD | | |
| | B2 | UPDATE PER ECO-06-010483 | 05-08-06 | JDM | MKS | | |



- 1 SHELL MATERIAL: 6061-T6 ALUMINUM, ELECTROLESS NICKEL PLATED PER SAE-AMS-C-26074. INSULATOR MATERIAL: LIQUID CRYSTAL POLYMER (LCP) PER MIL-M-24519 OR PER ASTM D5138
- 2 THIS CONFIGURATION TO BE TERMINATED WITH 30 AWG, 7 STRAND, WHITE TEFLON WIRE PER MIL-W-22759/33. WIRE MUST HAVE PASSED AN ANTHONY AND BROWN RED PLAGUE CORROSION CERTIFICATION TEST.
- 3 LABEL EACH WIRE WITH SOURCE CONTACT NUMBER USING LABEL, TYCO P/N 7-1200600-0.
- 4. GROUP A AND GROUP B TESTING REQUIRED FOR ALL CONNECTORS.
- 5. GROUP C TESTING REQUIRED WHEN ON P.O. PER ASTRIUM SPECIFICATION 41-LC0093.
- 6. REFERENCE ASTRIUM SPECIFICATION 41-LC0093, VARIANT 01, ISSUE 4
- 7. NANONICS PART NUMBER SSM01512075SC2DTC30N.

CLASS 2

| | | | | | | | | | | | | | | | | | | | | |
|---|---------------------|--------------------------------|---|------------|--------------------|---------------------------|--------------------|---|-------|---|------|-------|---|------|-------|---|---|--------|---|----|
| THIS DRAWING IS A CONTROLLED DOCUMENT. | | DWN M. SIKER 02 MAR 05 | Tyco Electronics Corporation Harrisburg, PA 17105-3608 | | | | | | | | | | | | | | | | | |
| DIMENSIONS: INCHES | | CHK C. SCHOLL 02 MAR 05 | | | | | | | | | | | | | | | | | | |
| TOLERANCES UNLESS OTHERWISE SPECIFIED: | | APVD M. STORRY 02 MAR 05 | | | | | | | | | | | | | | | | | | |
| <table border="1"> <tr><td>0 PLC</td><td>±</td><td>-</td></tr> <tr><td>1 PLC</td><td>±</td><td>-</td></tr> <tr><td>2 PLC</td><td>±</td><td>.010</td></tr> <tr><td>3 PLC</td><td>±</td><td>.005</td></tr> <tr><td>4 PLC</td><td>±</td><td>-</td></tr> <tr><td>ANGLES</td><td>±</td><td>1°</td></tr> </table> | | 0 PLC | | ± | - | 1 PLC | ± | - | 2 PLC | ± | .010 | 3 PLC | ± | .005 | 4 PLC | ± | - | ANGLES | ± | 1° |
| 0 PLC | ± | - | | | | | | | | | | | | | | | | | | |
| 1 PLC | ± | - | | | | | | | | | | | | | | | | | | |
| 2 PLC | ± | .010 | | | | | | | | | | | | | | | | | | |
| 3 PLC | ± | .005 | | | | | | | | | | | | | | | | | | |
| 4 PLC | ± | - | | | | | | | | | | | | | | | | | | |
| ANGLES | ± | 1° | | | | | | | | | | | | | | | | | | |
| MATERIAL SEE NOTES | FINISH SEE NOTES | WEIGHT - | <table border="1"> <tr> <td>SIZE A2</td> <td>CAGE CODE OPJN9</td> <td>DRAWING NO 3-1589679-6</td> <td>RESTRICTED TO -</td> </tr> </table> | SIZE A2 | CAGE CODE OPJN9 | DRAWING NO 3-1589679-6 | RESTRICTED TO - | | | | | | | | | | | | | |
| SIZE A2 | CAGE CODE OPJN9 | DRAWING NO 3-1589679-6 | RESTRICTED TO - | | | | | | | | | | | | | | | | | |
| CUSTOMER DRAWING | | SCALE 8:1 | SHEET 1 of 1 | | | | | | | | | | | | | | | | | |
| | | REV B2 | | | | | | | | | | | | | | | | | | |